

DIRECT DRIVE IN-8 NIXIE CLOCK

Title: IN8_nixie_clock

Descripton: POWER SUPPLY RAILS

Drawn by: Guillaume Galenkamp

REV: A

Date: 19-12-2014 2:23:44

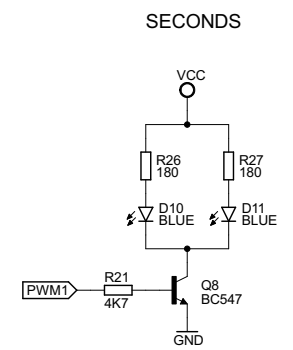
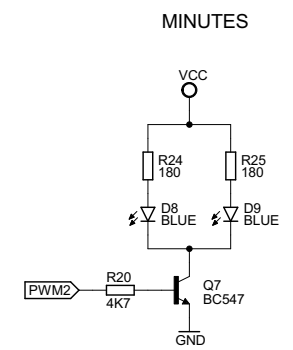
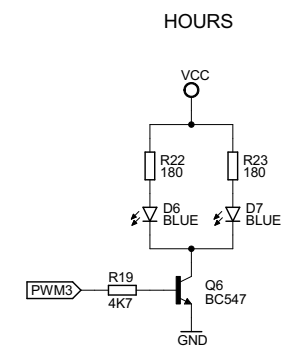
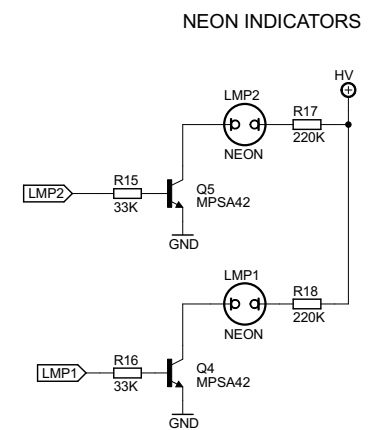
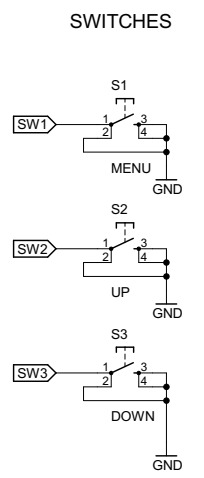
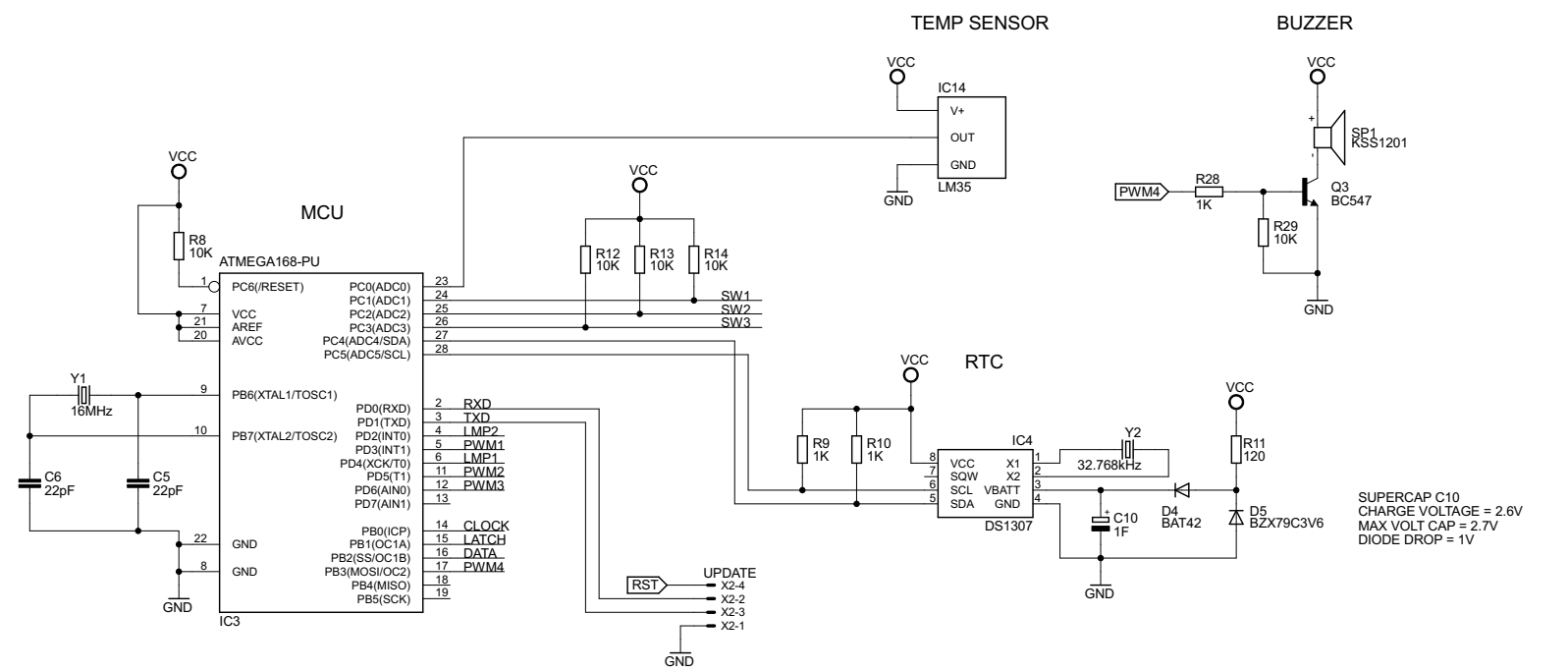
Sheet: 1/3

H1 MOUNT-HOLE3.0

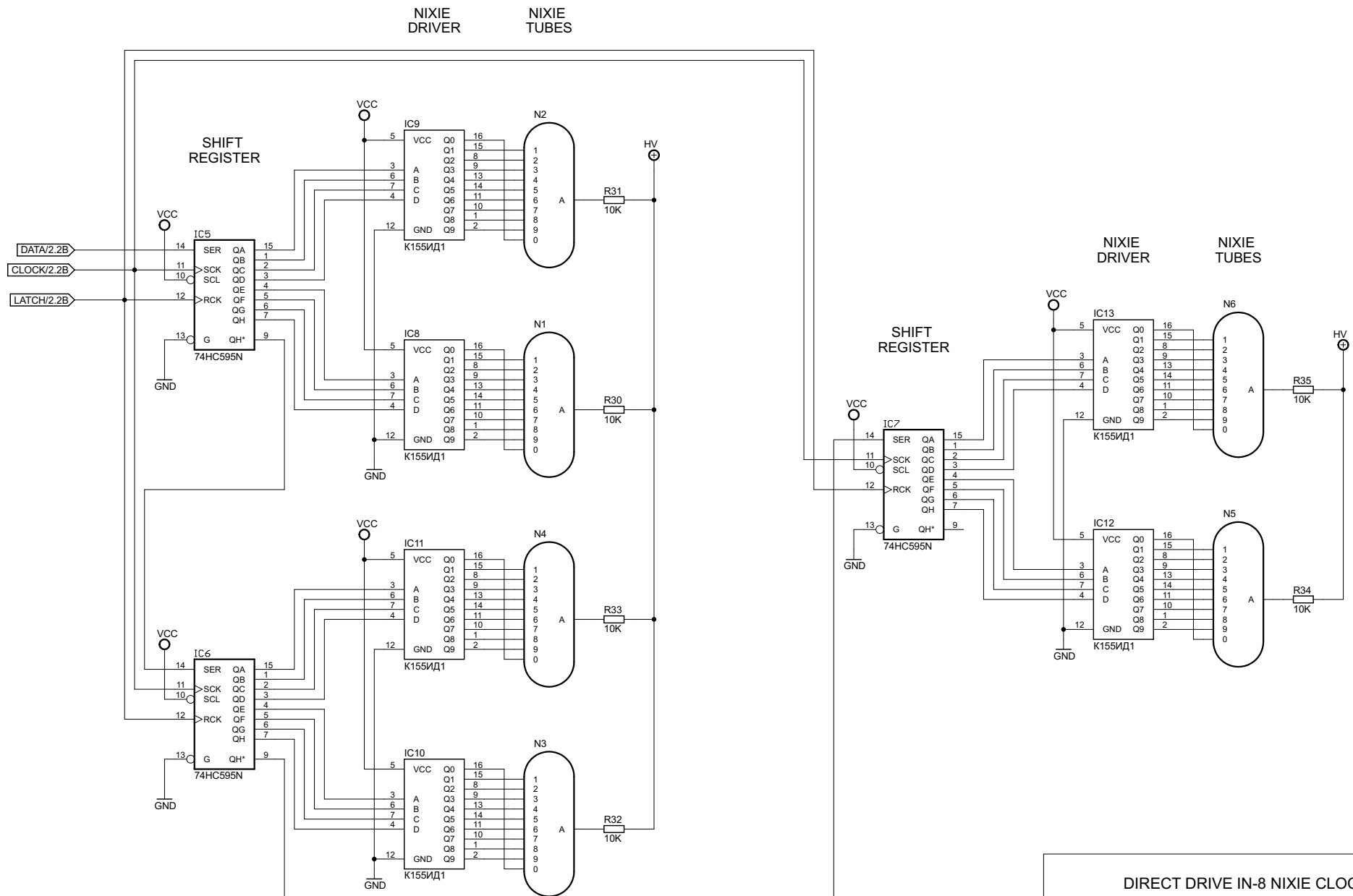
H3 MOUNT-HOLE3.0

H2 MOUNT-HOLE3.0

H4 MOUNT-HOLE3.0



DIRECT DRIVE IN-8 NIXIE CLOCK	
Title: IN8_nixie_clock	
Descriptor: MCU & SUPPORT CIRCUITRY	
Drawn by: Guillaume Galenkamp	REV: A
Date: 19-12-2014 2:23:44	Sheet: 2/3



DIRECT DRIVE IN-8 NIXIE CLOCK

Title: IN8_nixie_clock

Descripton: DRIVERS AND TUBES

Drawn by: Guillaume Galenkamp

REV: A

Date: 19-12-2014 2:23:44

Sheet: 3/3